

DO NOT SCALE DRAWING

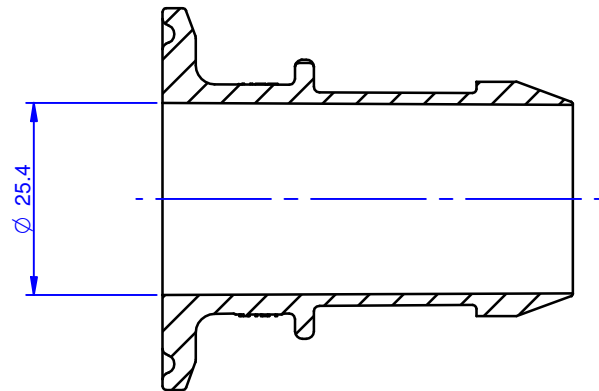
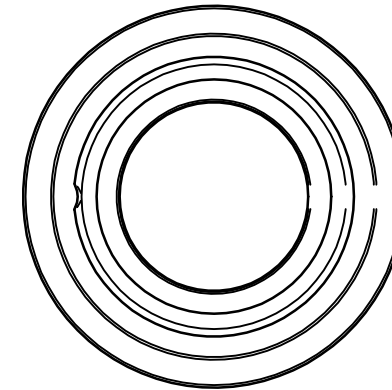
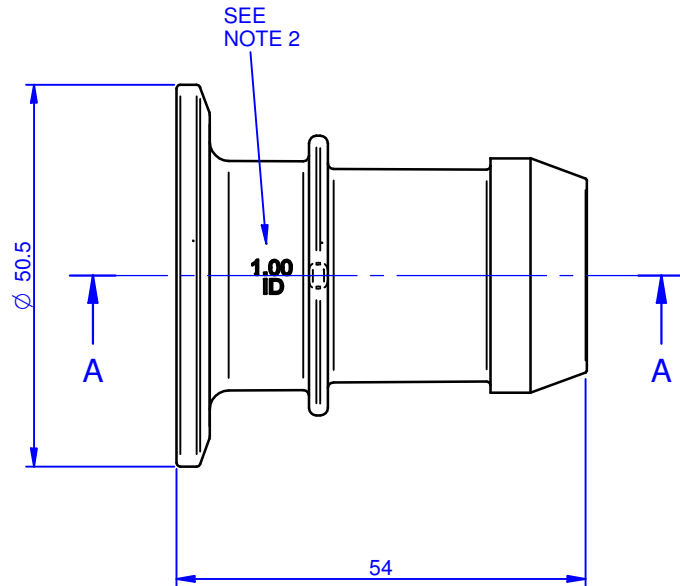
IF IN DOUBT - ASK

3rd ANGLE PROJECTION 

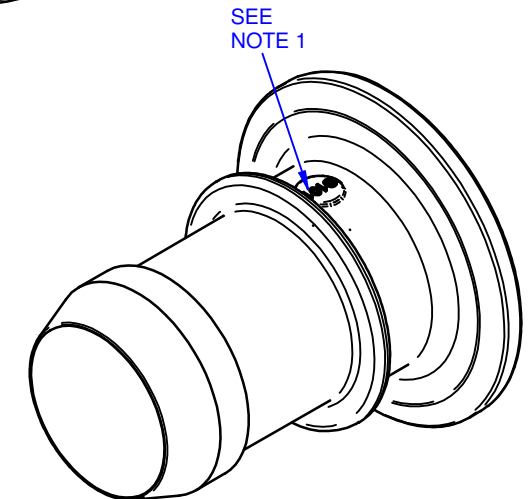
DRAWING NUMBER

PP100/150TC1000BB-CD

ISSUE	DESCRIPTION	DATE
B	RIBS REMOVED	22/10/07



SECTION A-A



NOTES:

- BATCH CODE TO BE MOULDED ON PART IN THIS AREA.
- COMPONENT SIZE IDENTIFICATION TO MOULDED IN THIS POSITION.
- NO FLASH OR IMPERFECTIONS PERMISSABLE ON FRONT EDGE OF BARB.
- PART TO BE MANUFACTURED IN CLEANROOM ENVIRONMENT.
- FLANGE DETAIL TO CONFORM TO RELEVANT ISO, BS & DIN STANDARDS

© COPYRIGHT

This drawing and its associated design is the property of Bio-Pure Technology Ltd & may not be copied or used for any purpose other than that for which it is supplied, without the express written authority of Bio-Pure Technology Ltd

DIMENSIONS IN MILLIMETERS

TOLERANCES UNLESS STATED
 0 DEC PLACE +/- 0.5
 1 DEC PLACE +/- 0.25
 2 DEC PLACES +/- 0.10

ANGULAR +/- 0.5 DEG

MATERIAL AND SPECIFICATION

PP Natural
 Borealis HD810MO

DRAWN BY

MJF

DATE

22/10/07

FINISH

CLEAN

CHECKED BY

PJR

APPROVED BY

RM

SCALE

1:1

BioPure Technology
 7 Falcon Court, Denmead, Hants, PO7 6BZ England
 Tel: +44 (0) 2392 499000 Fax: +44 (0) 2392 499001
 Email: sales@biopuretech.com
 Web: www.biopuretech.com

TITLE

**BIOBARB
 LARGE FLANGE x 1.000**

PART No:

PP100/150TC1000BB