

DO NOT SCALE DRAWING

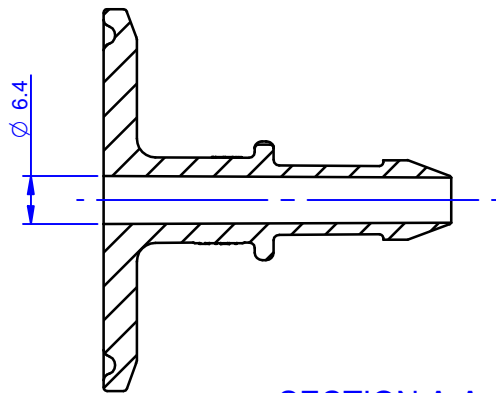
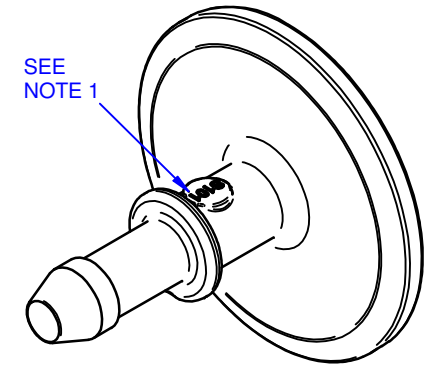
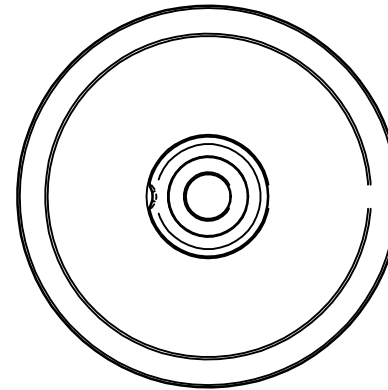
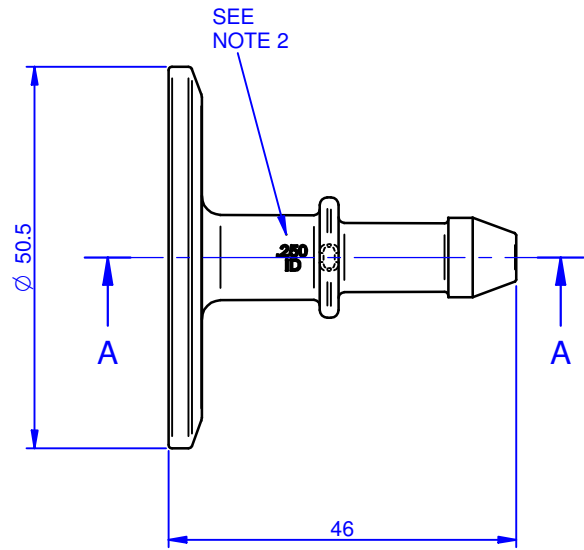
IF IN DOUBT - ASK

3rd ANGLE PROJECTION

DRAWING NUMBER

**PP100/150TC0250BB-CD**

ISSUE	DESCRIPTION	DATE
B	RIBS REMOVED	22/10/07



**SECTION A-A**

**NOTES:**

1. BATCH CODE TO BE MOULDED ON PART IN THIS AREA.
2. COMPONENT SIZE IDENTIFICATION TO MOULDED IN THIS POSITION.
3. NO FLASH OR IMPERFECTIONS PERMISSABLE ON FRONT EDGE OF BARB.
4. PART TO BE MANUFACTURED IN CLEANROOM ENVIROMENT.
5. FLANGE DETAIL TO CONFORM TO RELEVANT ISO, BS & DIN STANDARDS

**© COPYRIGHT**

This drawing and its associated design is the property of Bio-Pure Technology Ltd & may not be copied or used for any purpose other than that for which it is supplied, without the express written authority of Bio-Pure Technology Ltd

**DIMENSIONS IN MILLIMETERS**

TOLERANCES UNLESS STATED  
 0 DEC PLACE +/- 0.5  
 1 DEC PLACE +/- 0.25  
 2 DEC PLACES +/- 0.10  
 ANGULAR +/- 0.5 DEG

**MATERIAL AND SPECIFICATION**

PP Natural  
 Borealis HD810MO

**DRAWN BY**

**MJF**

**CHECKED BY**

**PJR**

**DATE**

**22/10/07**

**APPROVED BY**

**RM**

**FINISH**

**CLEAN**

**SCALE**

**1:1**

**BioPure Technology**  
 7 Falcon Court, Denmead, Hants, PO7 6BZ England  
 Tel: +44 (0) 2392 499000 Fax: +44 (0) 2392 499001  
 Email. sales@biopuretech.com  
 Web. www.biopuretech.com

**TITLE**

**BIOBARB  
 LARGE FLANGE x 0.250**

**PART No:**

**PP100/150TC0250BB**