

DO NOT SCALE DRAWING

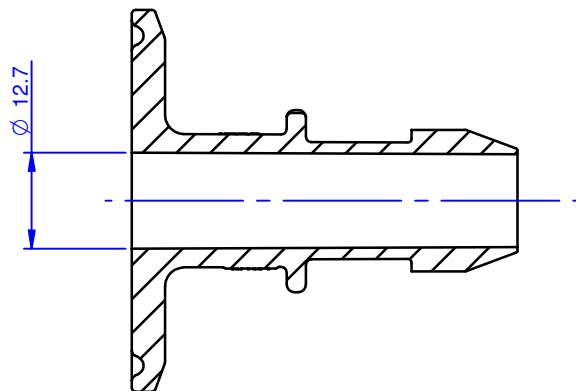
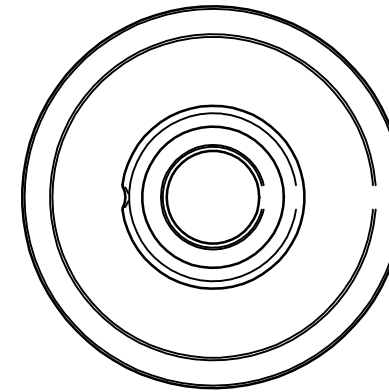
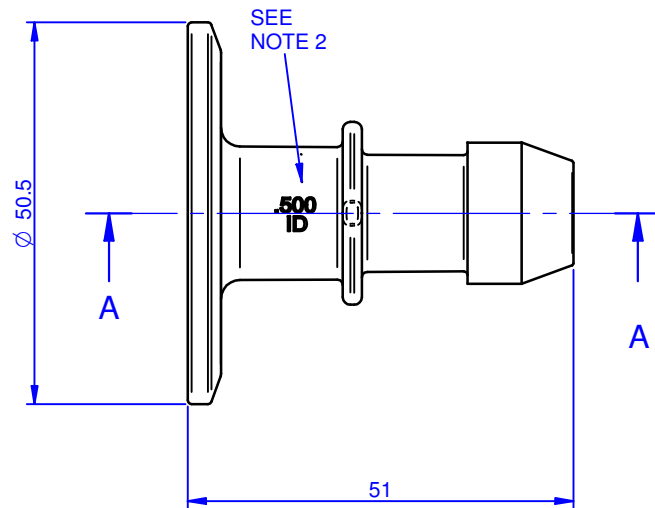
IF IN DOUBT - ASK

3rd ANGLE PROJECTION 

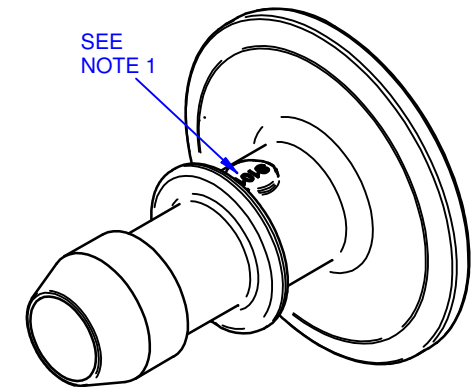
DRAWING NUMBER

PP100/150TC0500BB-CD

ISSUE	DESCRIPTION	DATE
B	RIBS REMOVED	22/10/07



SECTION A-A



NOTES:

1. BATCH CODE TO BE MOULDED ON PART IN THIS AREA.
2. COMPONENT SIZE IDENTIFICATION TO MOULDED IN THIS POSITION.
3. NO FLASH OR IMPERFECTIONS PERMISSABLE ON FRONT EDGE OF BARB.
4. PART TO BE MANUFACTURED IN CLEANROOM ENVIRONMENT.
5. FLANGE DETAIL TO CONFORM TO RELEVANT ISO, BS & DIN STANDARDS

© COPYRIGHT

This drawing and its associated design is the property of Bio-Pure Technology Ltd & may not be copied or used for any purpose other than that for which it is supplied, without the express written authority of Bio-Pure Technology Ltd

DIMENSIONS IN MILLIMETERS

TOLERANCES UNLESS STATED
 0 DEC PLACE +/- 0.5
 1 DEC PLACE +/- 0.25
 2 DEC PLACES +/- 0.10

ANGULAR +/- 0.5 DEG

MATERIAL AND SPECIFICATION

PP Natural
 Borealis HD810MO

DRAWN BY

MJF

CHECKED BY

PJR

DATE

22/10/07

APPROVED BY

RM

FINISH

CLEAN

SCALE

1:1

BioPure
 Technology
 7 Falcon Court, Denmead, Hants, PO7 6BZ England
 Tel: +44 (0) 2392 499000 Fax: +44 (0) 2392 499001
 Email: sales@biopuretech.com
 Web: www.biopuretech.com

TITLE

BIOBARB
LARGE FLANGE x 0.500

PART No:

PP100/150TC0500BB