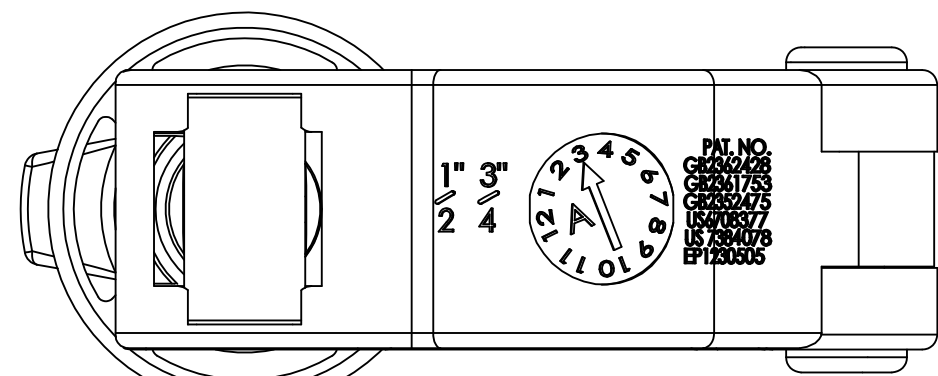
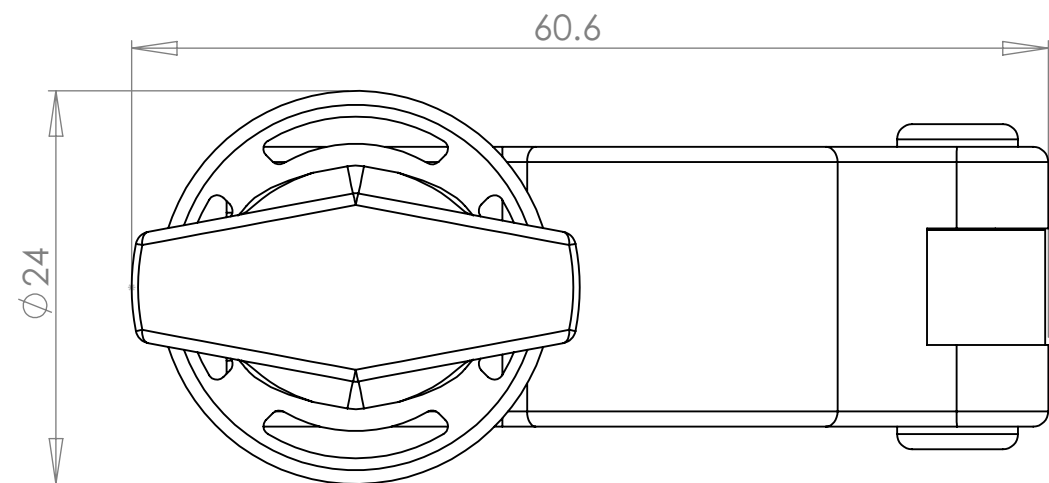
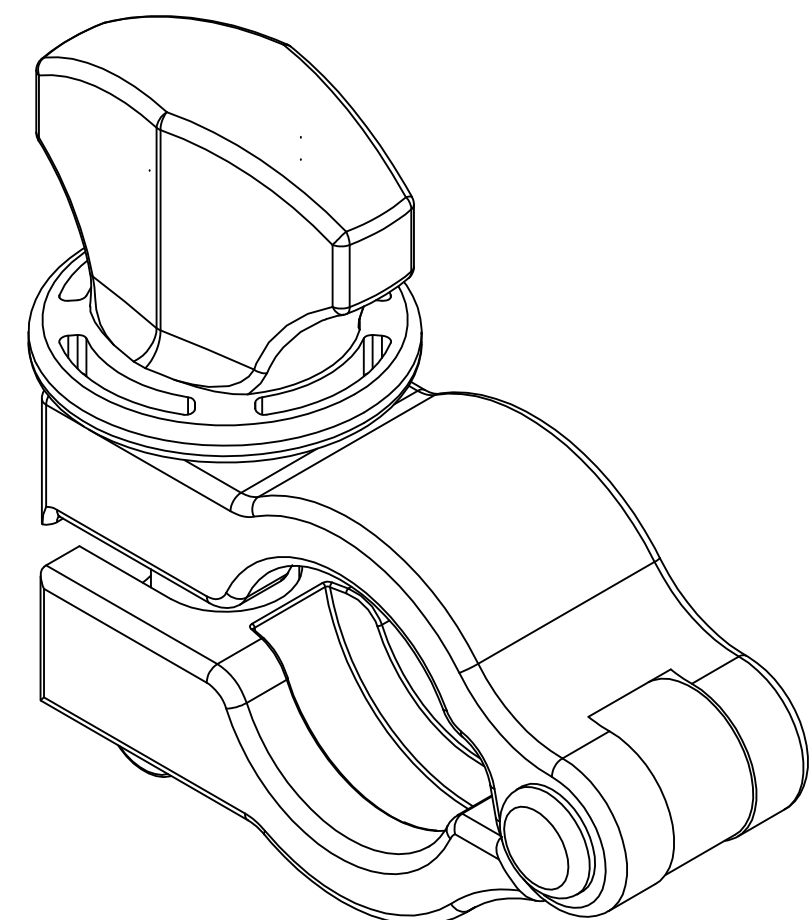
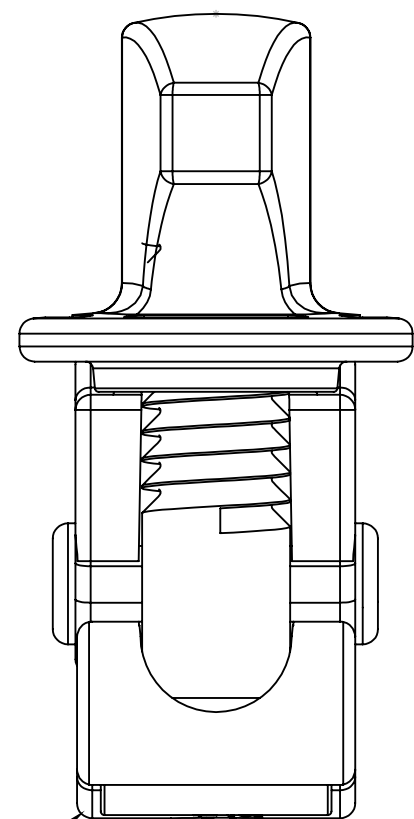
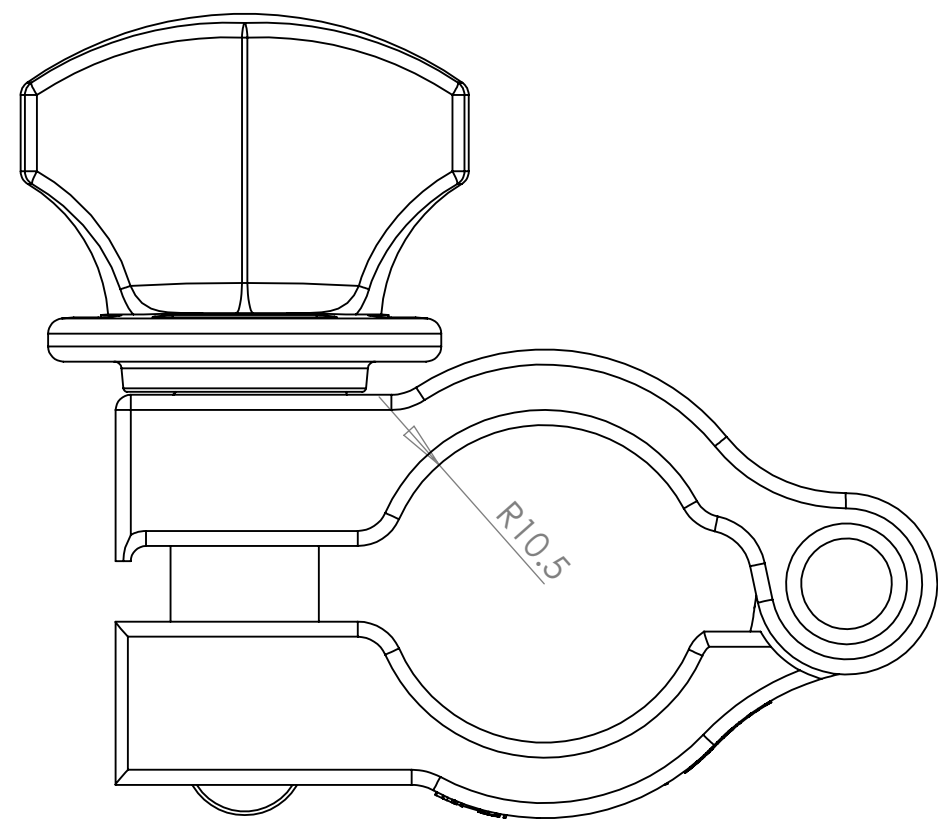


UK PAT NO:GB2361753
 UK PAT NO:GB2362428
 UK PAT NO:GB2352475
 USA PAT NO:US7384078
 USA PAT NO:US6,708,377 B2
 EUR PAT NO: EP1230505
 INDIA PAT NO:199286
 AUSTRALIAN PAT NO:774546



SIZE CLOCK PAT. NO.



copyright ©
 This drawing and its associated design is the property of Bio-pure technology Ltd & may not be copied or used for any purpose other than that for which it was supplied, without the express written authority of bio pure technology Ltd.



Bio-pure technology Ltd.
 7 Falcon court, Parklands business park,
 Denmead, Po7 6BZ
 Tel. +44 (0) 2392 499000
 Fax. +44 (0) 2392 499001
 Email. sales@biopuretech.com
 Web. www.biopuretech.com

ITEM	QTY	PART ID	MATERIAL	FILE NAME: CLAMP 0.75 ASSY
UNLESS OTHERWISE STATED DIMENSIONS IN mm TOL = +/- 0.1mm ANGLES = +/- 0.1 DEG	SIZE A4 SHEET: 1	ISSUE: C	FINISH: WHITE WT 192	TITLE: BIO-CLAMP NG075WHT
			MATERIAL: GLASS REINFORCED NYLON	DWG NO: NG075WHT
			DEBUR AND BREAK SHARP EDGES	WEIGHT: DENSITY:
SCALE	NTS			