

DO NOT SCALE DRAWING

IF IN DOUBT - ASK

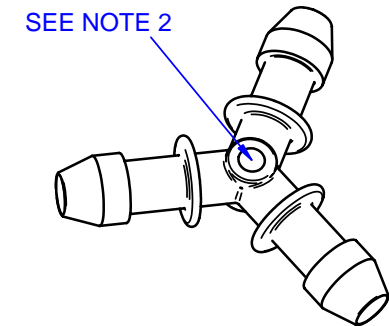
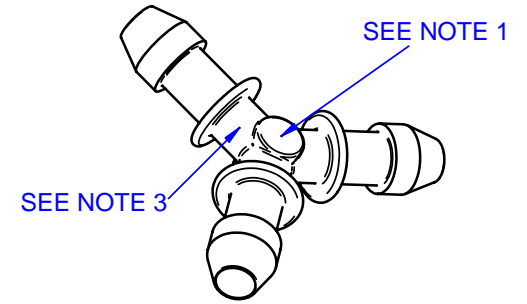
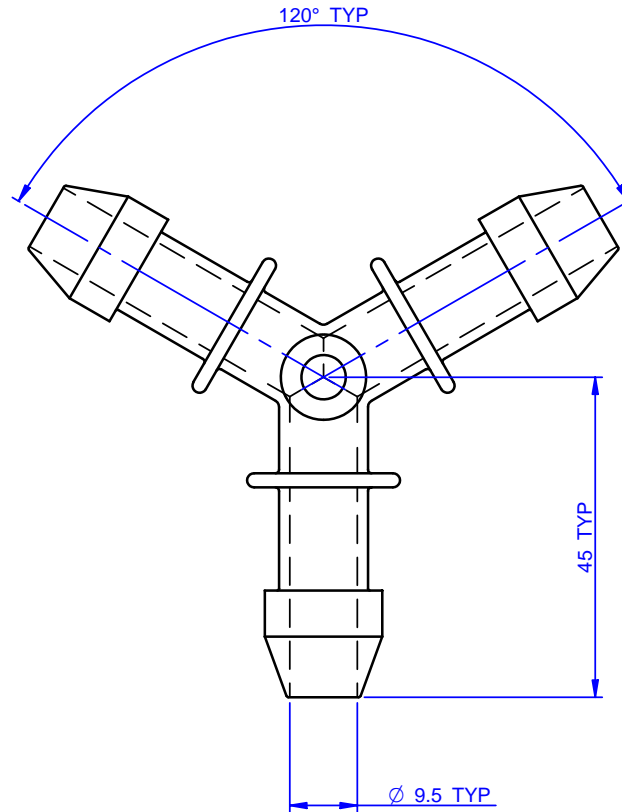
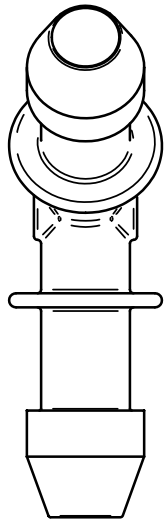
3rd ANGLE PROJECTION 

DRAWING NUMBER

**PP0375BY-CD**

ISSUE	DESCRIPTION	DATE
1	INITIAL DRAWING	26/04/05

PATENT PENDING GB 0509362.0  
 PATENT PENDING US 11/053657  
 PATENT PENDING EEC 05075275.7



**NOTES:**

1. BATCH CODE TO BE MOULDED ON PART IN THIS AREA.
2. INJECTION FEED MARK TO BE FLUSH.
3. COMPONENT SIZE IDENTIFICATION TO MOULDED IN THIS POSITION.
4. NO FLASH OR IMPERFECTIONS PERMISSABLE ON FRONT EDGE OF SPOUTS.
5. NO FLASH PERMISSABLE ON INTERNAL CORE INTERSECTION.
6. NO CONTAMINATION ALLOWED.
7. PART TO BE MANUFACTURED IN CLEANROOM ENVIROMENT.

**© COPYRIGHT**

This drawing and its associated design is the property of Bio-Pure Technology Ltd & may not be copied or used for any purpose other than that for which it is supplied, without the express written authority of Bio-Pure Technology Ltd

**DIMENSIONS IN MILLIMETERS**

TOLERANCES UNLESS STATED  
 0 DEC PLACE +/- 0.5  
 1 DEC PLACE +/- 0.25  
 2 DEC PLACES +/- 0.10  
 ANGULAR +/- 0.5 DEG

**MATERIAL AND SPECIFICATION**

PP Natural  
 Borealis HD810MO

**DRAWN BY**

**MJF**

**CHECKED BY**

**PR**

**DATE**

**26/04/05**

**APPROVED BY**

**RM**

**FINISH**

**CLEAN**

**SCALE**

**1:1**

**Bio-Pure Technology Ltd.**

17 South Street, Havant, Hants PO91BU ENGLAND  
 Tel. +44 (0) 2392 499000 Fax. +44 (0) 2392 499001  
 Email. sales@biopuretech.com  
 Web. www.biopuretech.com

**TITLE**

**3/8" BIO Y CONNECTOR**

**PART No:**

**PP0375BY**