
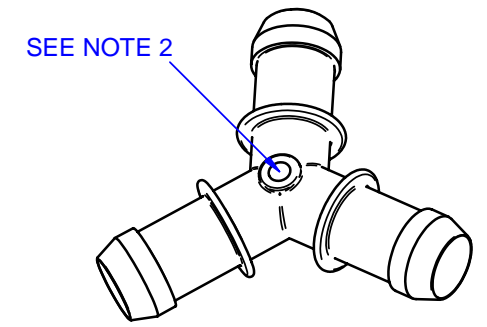
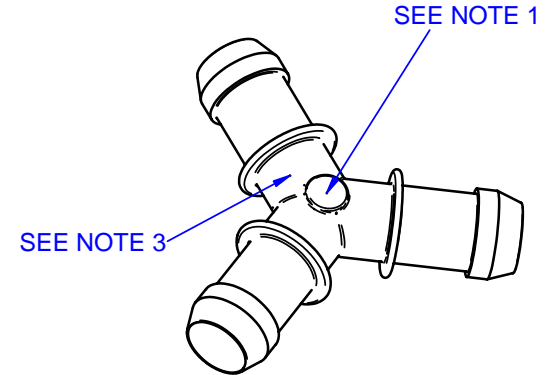
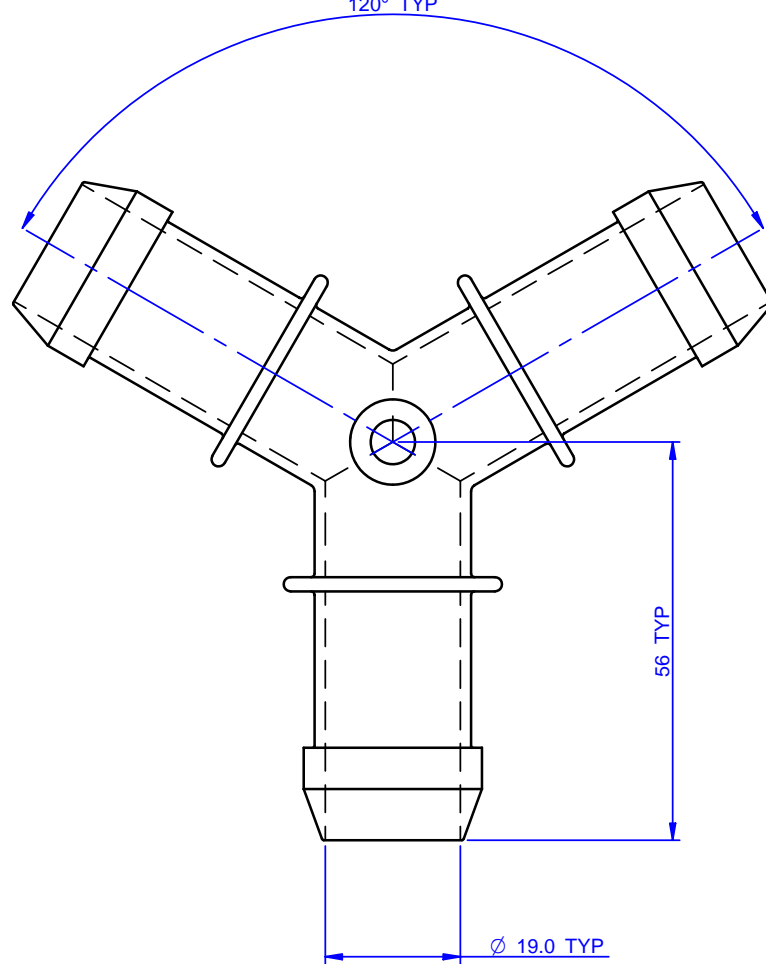
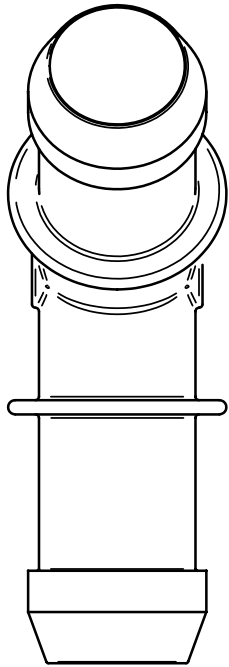


1 2 3 4 5 6 7 8

DO NOT SCALE DRAWING IF IN DOUBT - ASK 3rd ANGLE PROJECTION  120° TYP

DRAWING NUMBER		
PP0750BY-CD		
ISSUE	DESCRIPTION	DATE
1	INITIAL DRAWING	26/04/05

PATENT PENDING GB 0509362.0
 PATENT PENDING US 11/053657
 PATENT PENDING EEC 05075275.7



- NOTES:**
- BATCH CODE TO BE MOULDED ON PART IN THIS AREA.
 - INJECTION FEED MARK TO BE FLUSH.
 - COMPONENT SIZE IDENTIFICATION TO MOULDED IN THIS POSITION.
 - NO FLASH OR IMPERFECTIONS PERMISSABLE ON FRONT EDGE OF SPOUTS.
 - NO FLASH PERMISSABLE ON INTERNAL CORE INTERSECTION.
 - NO CONTAMINATION ALLOWED.
 - PART TO BE MANUFACTURED IN CLEANROOM ENVIROMENT.

© COPYRIGHT This drawing and its associated design is the property of Bio-Pure Technology Ltd & may not be copied or used for any purpose other than that for which it is supplied, without the express written authority of Bio-Pure Technology Ltd	DIMENSIONS IN MILLIMETERS TOLERANCES UNLESS STATED 0 DEC PLACE +/- 0.5 1 DEC PLACE +/- 0.25 2 DEC PLACES +/- 0.10 ANGULAR +/- 0.5 DEG	MATERIAL AND SPECIFICATION PP Natural Borealis HD810MO	DRAWN BY	DATE	FINISH	Bio-Pure Technology Ltd. 17 South Street, Havant, Hants PO91BU ENGLAND Tel. +44 (0) 2392 499000 Fax. +44 (0) 2392 499001 Email. sales@biopuretech.com Web. www.biopuretech.com	TITLE
			CHECKED BY	APPROVED BY	SCALE		3/4" BIO Y CONNECTOR PART No: PP0750BY