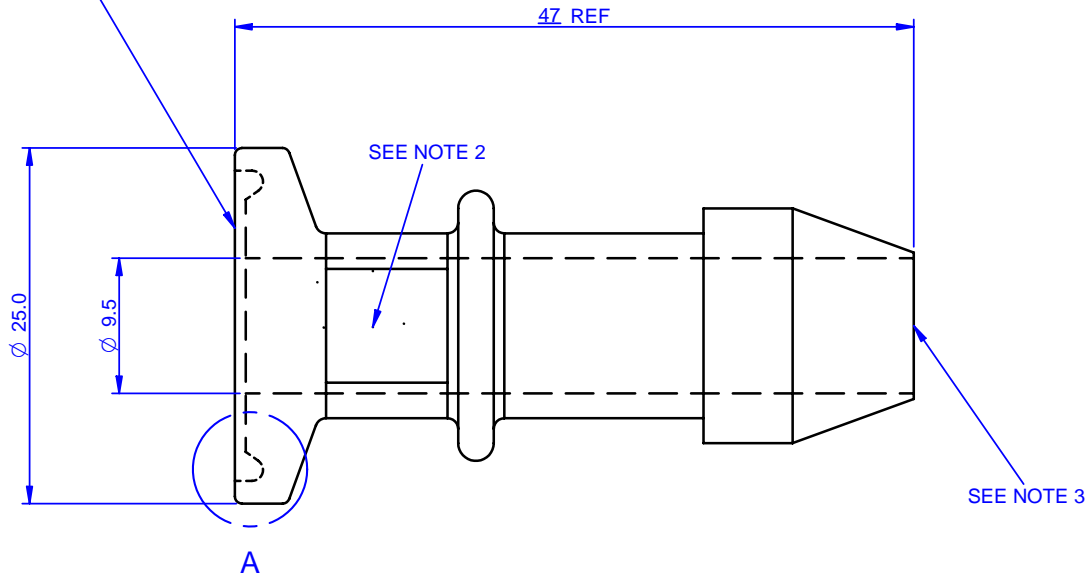


1 2 3 4 5 6 7 8

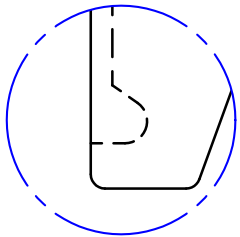
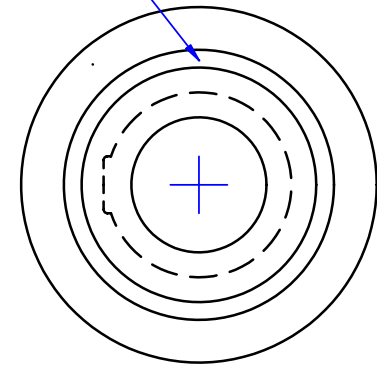
DO NOT SCALE DRAWING IF IN DOUBT - ASK 3rd ANGLE PROJECTION

DRAWING NUMBER		
PPMINITC0375BB-CD		
ISSUE	DESCRIPTION	DATE
A	RELEASED FOR PRODUCTION	05/01/05

SEE NOTE 1



SEE NOTE 7



DETAIL A
TO CONFORM TO RELEVANT
ISO, BS & DIN STANDARDS

NOTES:

1. THIS FACE TO BE FLAT TO 0.15 mm. MAXIMUM EJECTOR WITNESS PERMISSABLE 0.07mm.
2. BATCH CODE TO BE MOULDED ON PART IN THIS AREA.
3. NO FLASH OR IMPERFECTION PERMISSABLE ON FRONT EDGE OF MOULDING.
4. NO CONTAMINATION ALLOWED.
5. MAXIMUM SPLIT LINE FLASH 0.2 mm.
6. PART TO BE MANUFACTURED IN CLEANROOM ENVIROMENT.
7. INJECTION GATE MARK TO BE TRIMMED FLUSH.

© COPYRIGHT

This drawing and its associated design is the property of Bio-Pure Technology Ltd & may not be copied or used for any purpose other than that for which it is supplied, without the express written authority of Bio-Pure Technology Ltd

DIMENSIONS IN MILLIMETERS

TOLERANCES UNLESS STATED
0 DEC PLACE +/- 0.5
1 DEC PLACE +/- 0.25
2 DEC PLACES +/- 0.10
ANGULAR +/- 0.5 DEG

MATERIAL AND SPECIFICATION

PP Natural
Borealis HD810MO

DRAWN BY

MJF

CHECKED BY

PRW

DATE

29/11/04

APPROVED BY

RW

FINISH

CLEAN

SCALE

2:1

Bio-Pure Technology Ltd.

17 South Street, Havant, Hants PO91BU ENGLAND
Tel. +44 (0) 2392 499000 Fax. +44 (0) 2392 499001
Email. sales@biopuretech.com
Web. www.biopuretech.com

TITLE

BIO-BARB
SMALL FLANGE x 0.375

PART No:

PPMINITC0375BB